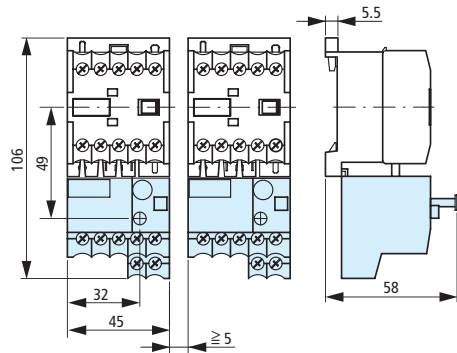


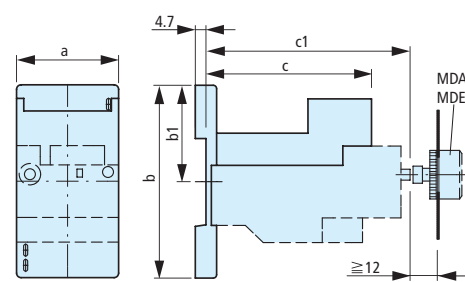
Z Thermal Overload Relays Dimensions

Thermal overload relays

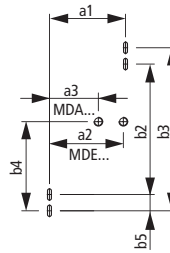
ZE



Z00 + EZ00 Z1 + EZ1

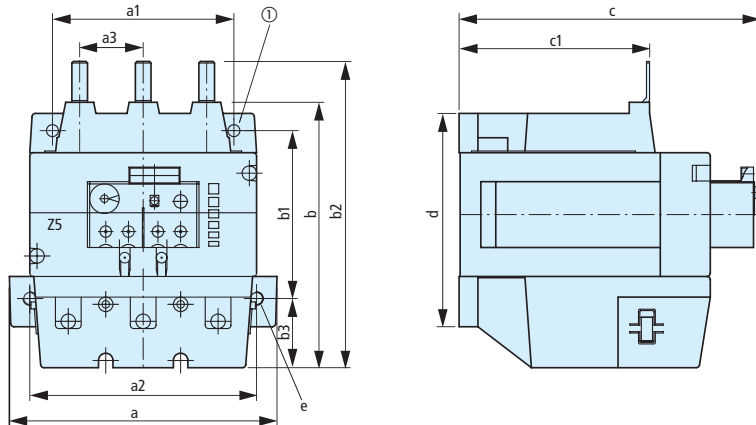


EZ00: 2 M4 × 12
EZ1: 2 M5 × 15



	EZ00	EZ1
a	45	60
a1	35	50
a2	34	41.5
a3	22.5	30
b	85	86
b1	42.5	42.5
b2	60	–
b3	75	75
b4	41	36
b5	7.5	–
c	73	112
c1	90	102

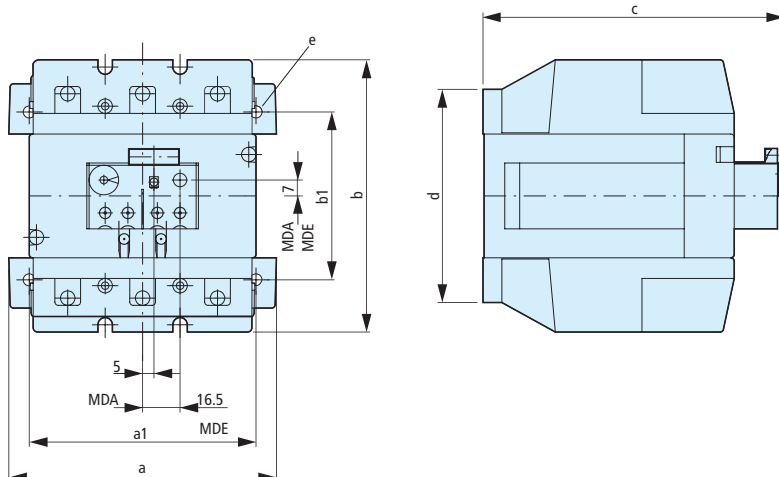
Z5-.../SK



① = Knockout, supplied closed

	Z5-.../SK3	Z5-.../SK4
a	100	118
a1	80	80
a2	80	100
a3	28	28
b	117	117
b1	74	74
b2	135	135
b3	22	23
c	133	133
c1	82.5	84
d	94	94
e	∅6	∅7

Z5-.../KK



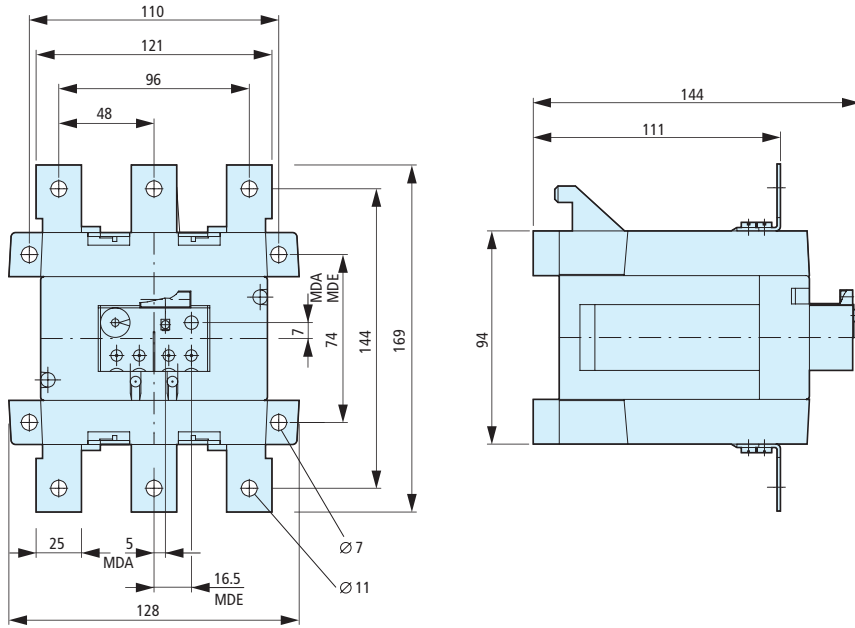
	Z5-.../KK3	Z5-.../KK4
a	100	118
a1	80	100
b	120	120
b1	74	74
c	133	133
d	94	94
e	∅6	∅7

Z Overload Relays, Current-Transformer Operated Overload Relays, Thermistor Overload Relays
Dimensions

Thermal Overload Relays,
 Thermistor Overload Relays

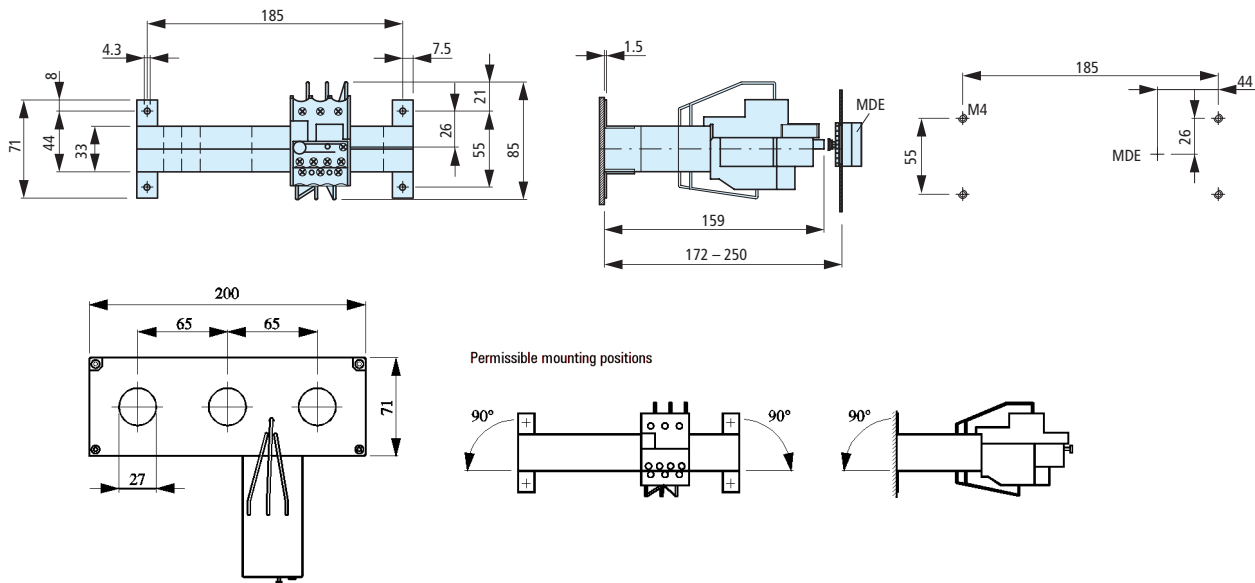
Overload relays

Z5-.../FF250



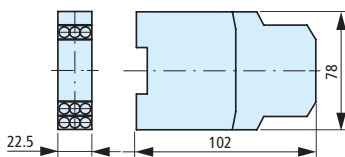
Current-transformer operated relays

ZW7-...

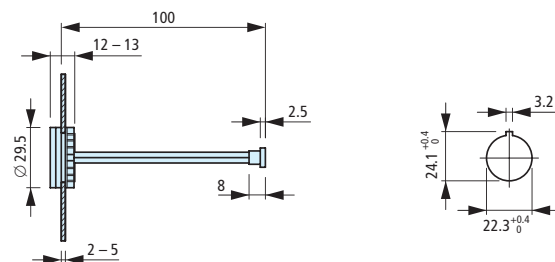


Thermistor overload relays

EMT6-(-DB)
 EMT6-DBK



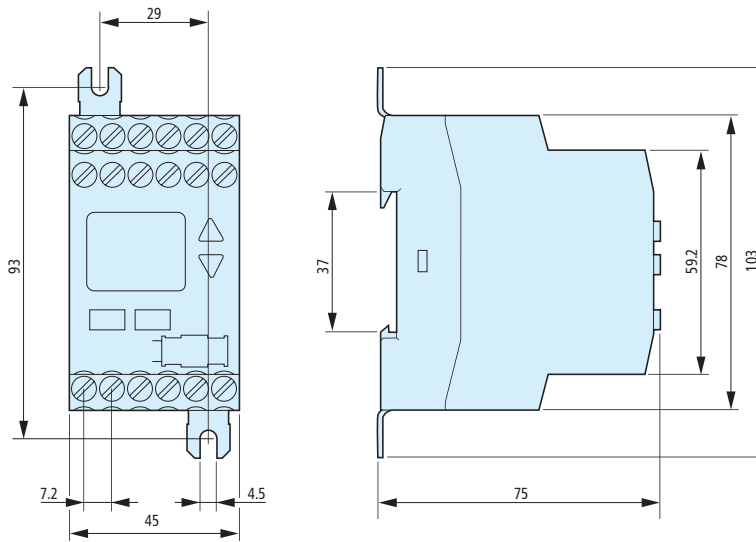
**External reset button
 Stop button**



ZEV Electronic Overload Relays

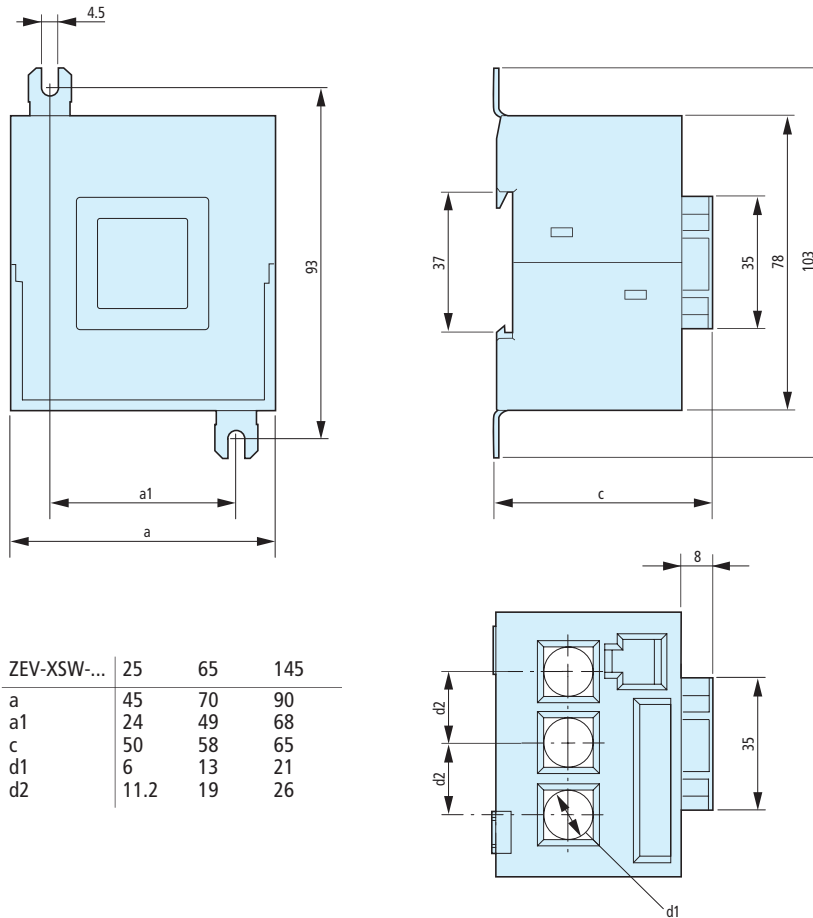
Electronic overload relay

ZEV



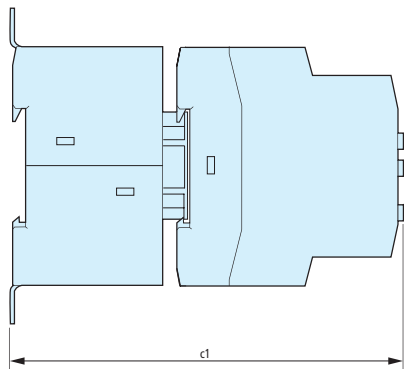
Current sensors

ZEV-XSW-...



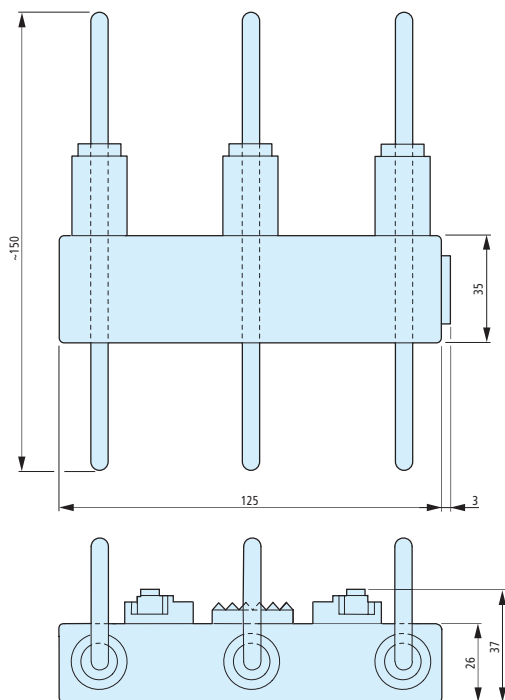
ZEV Electronic Overload Relays

Electronic overload relays
ZEV ZEV-XSW...

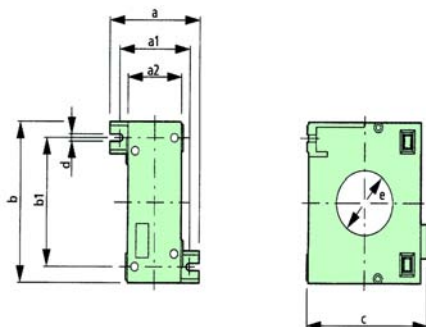


ZEV + ZEV-XSW...	25	65	145
c1	120	128	134

Current sensors
ZEV-XSW-820



Core balance transformers
SSW40-...
SSW65-...
SSW120-...



	SSW40-...	SSW65-...	SSW120-...
a	64	75	86.5
a1	50	60	70
a2	38	43	54.5
b	100	124	200
b1	80	100	170
c	86	112	205
d	4.5	4.5	4.5
e	40	65	120