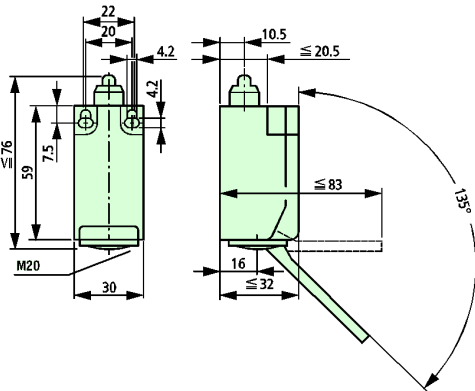


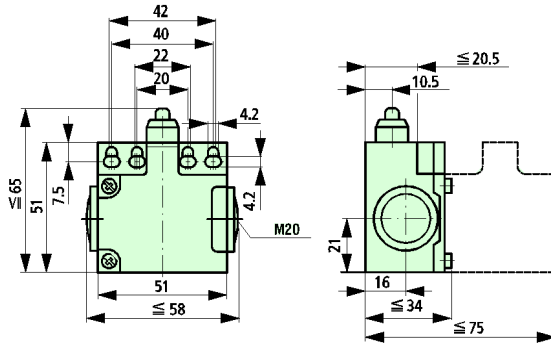
Limit Switches AT 0

Dimensions

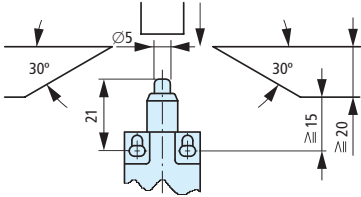
Limit Switches
AT 0-...-...-I



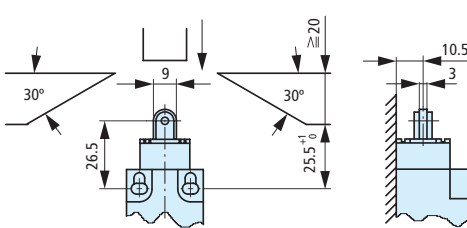
AT 0-...-...-IA



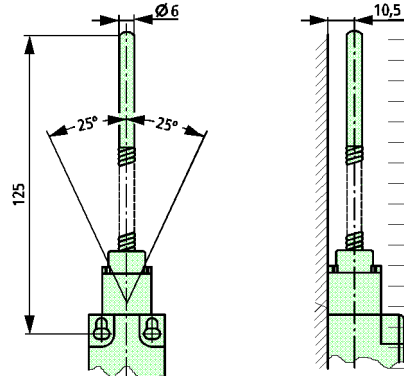
AT 0-...-...-I(A)



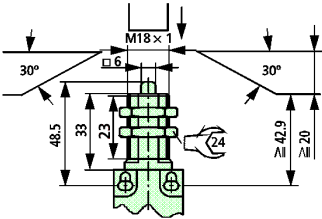
AT 0-...-...-I(A)/RS



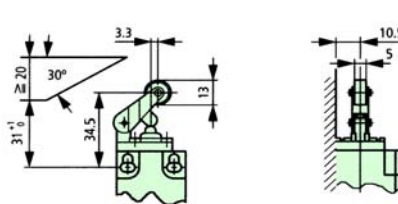
AT 0-11-S-I(A)/F



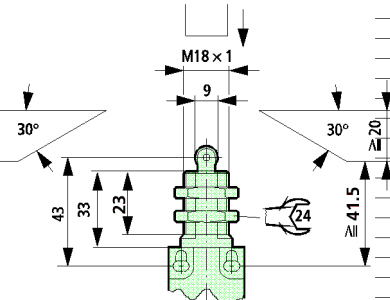
AT 0-...-...-I(A)/ZS



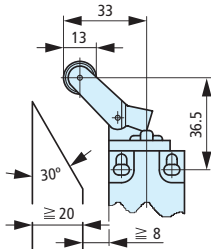
AT 0-...-...-I(A)/AR



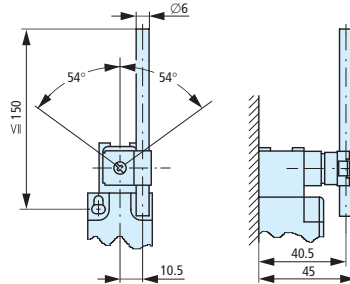
AT 0-...-...-I(A)/ZRS



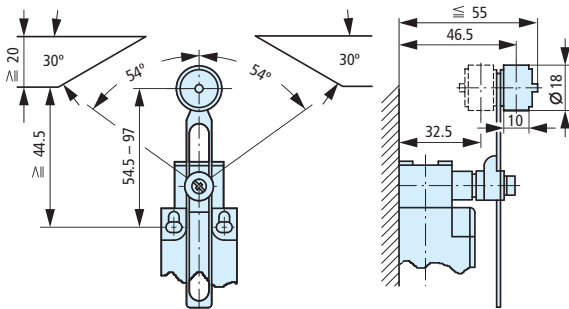
AT 0-...-...-I(WR)



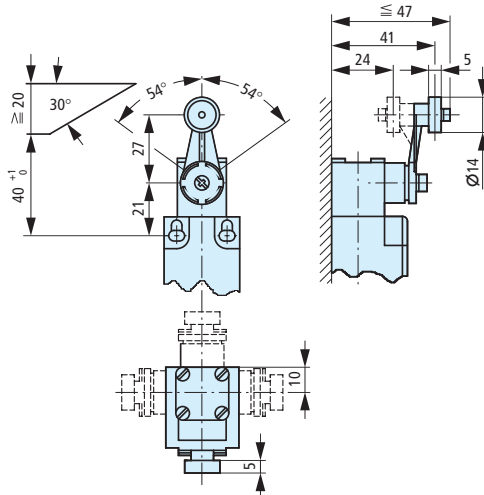
AT 0-...-...-I(A)/H



AT 0-...-...-I(A)/V

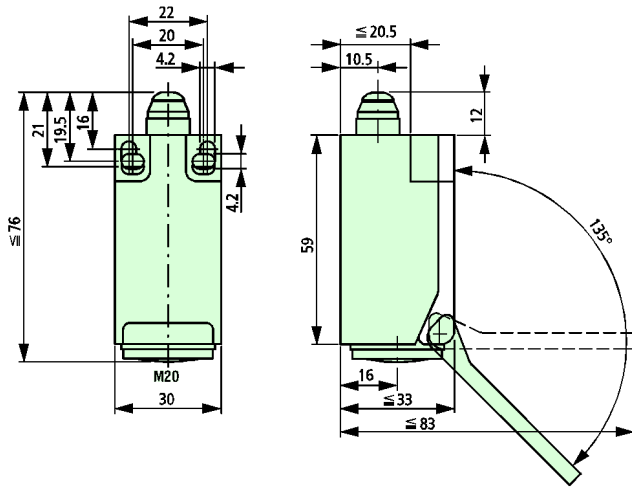


AT 0-...-...-I(A)/R

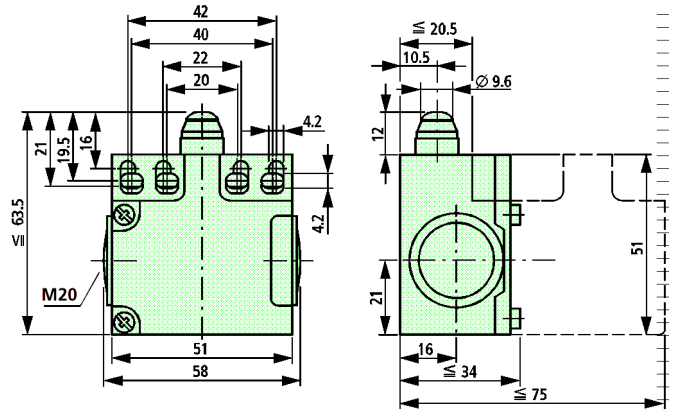


Limit Switches ATR Dimensions

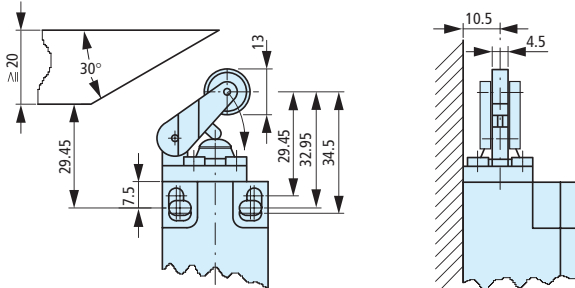
Limit Switches
ATR-....-I



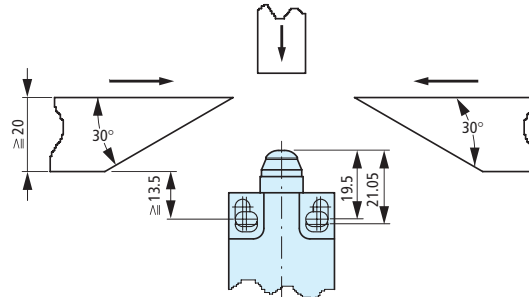
ATR-....-IA



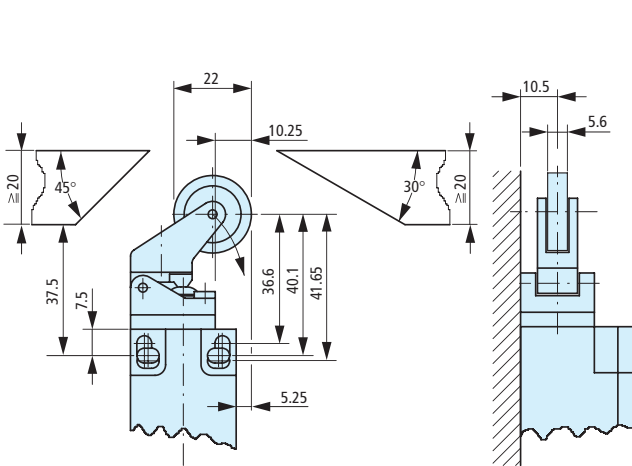
ATR-....-I(A)/ARK



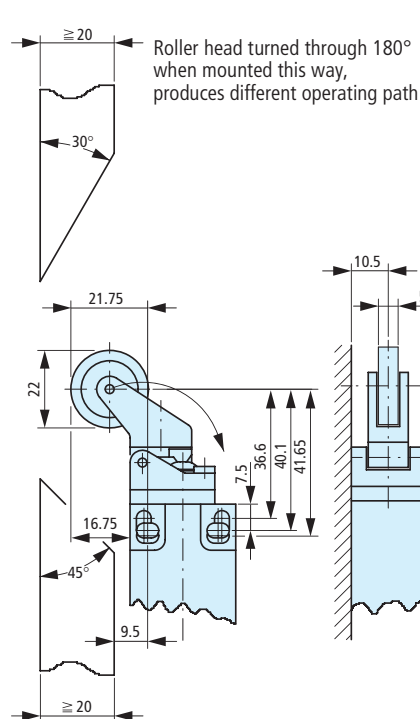
ATR-....-I(IA)



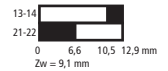
ATR-....-I(IA)/ARG



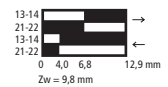
ATR-....-I(IA)



ATR-11-I-ARG



ATR-11-S-I/ARG

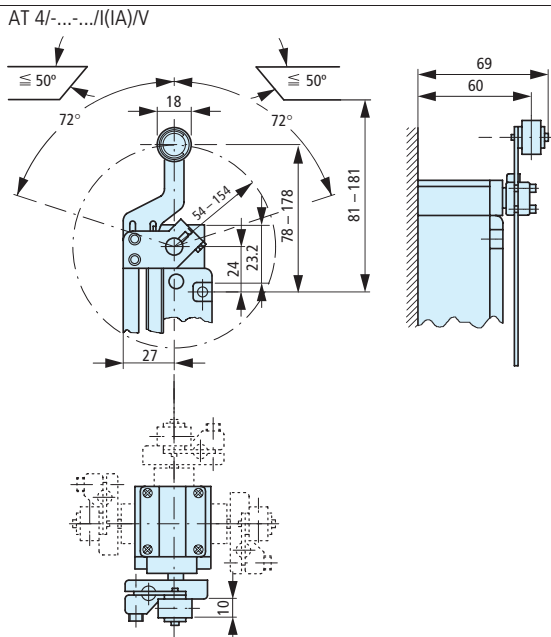
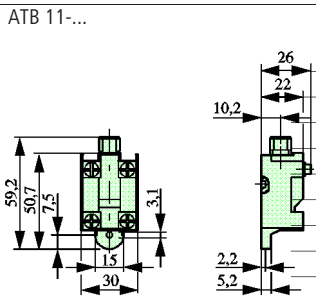
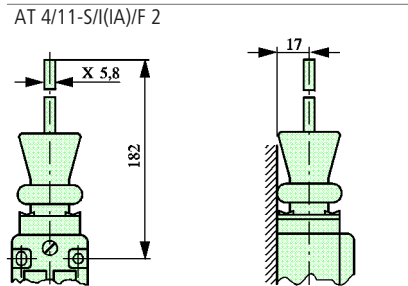
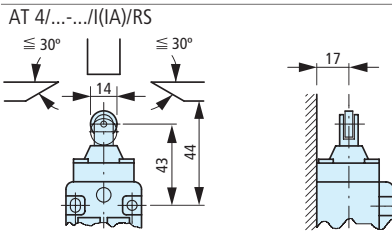
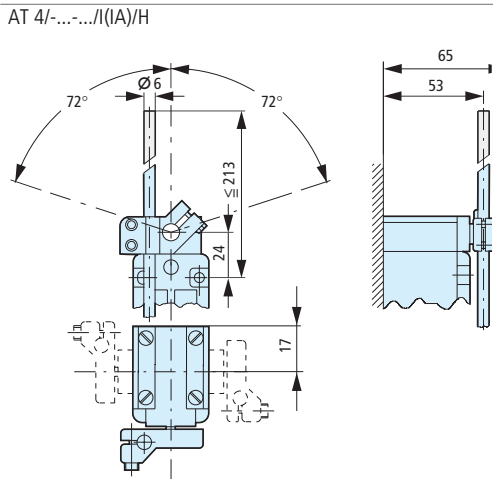
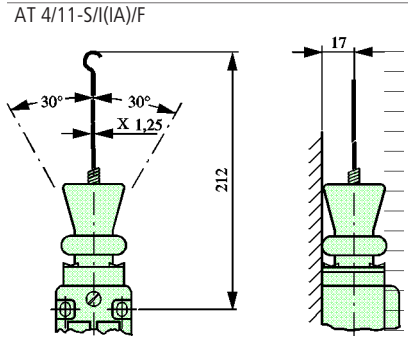
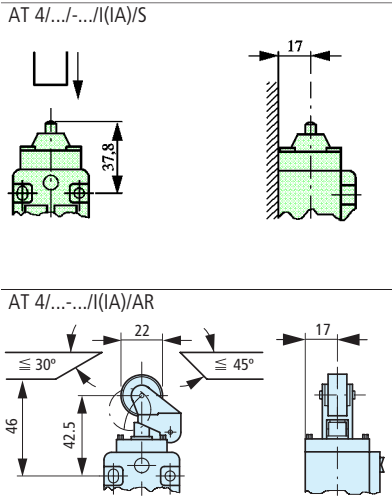
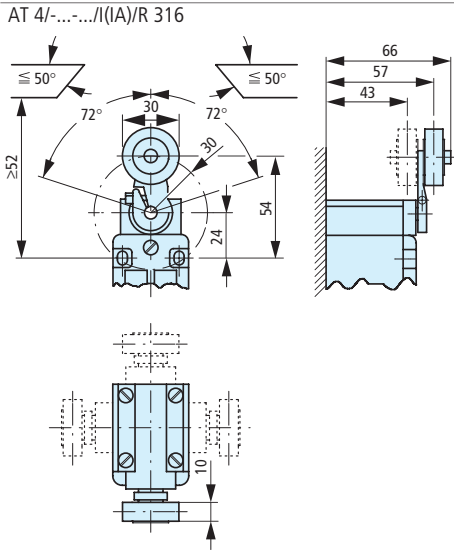
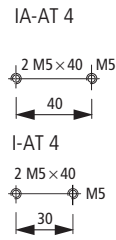
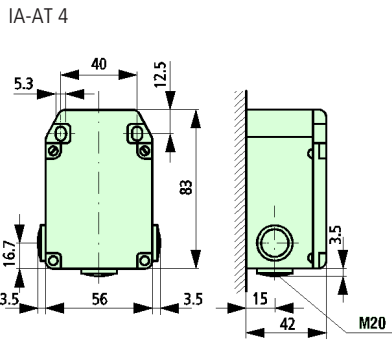
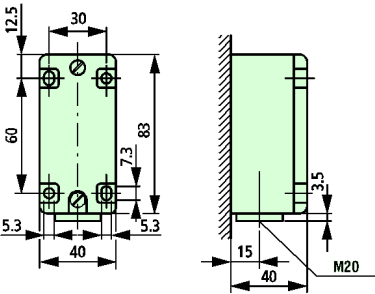


Contact
 ■ closed
 □ open
 Zw = positive opening clearance

Limit Switches AT 4

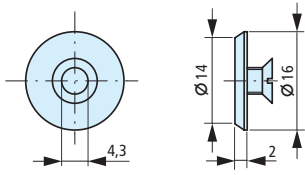
Dimensions

Limit Switches

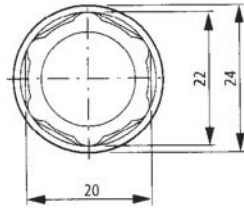
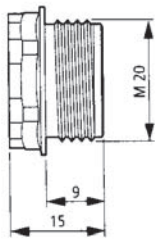


Accessories AT Dimensions

Accessories AT
AT locating plate FS-AT



Membrane cable gland EMS20



Adapter VPG13.5/M20

