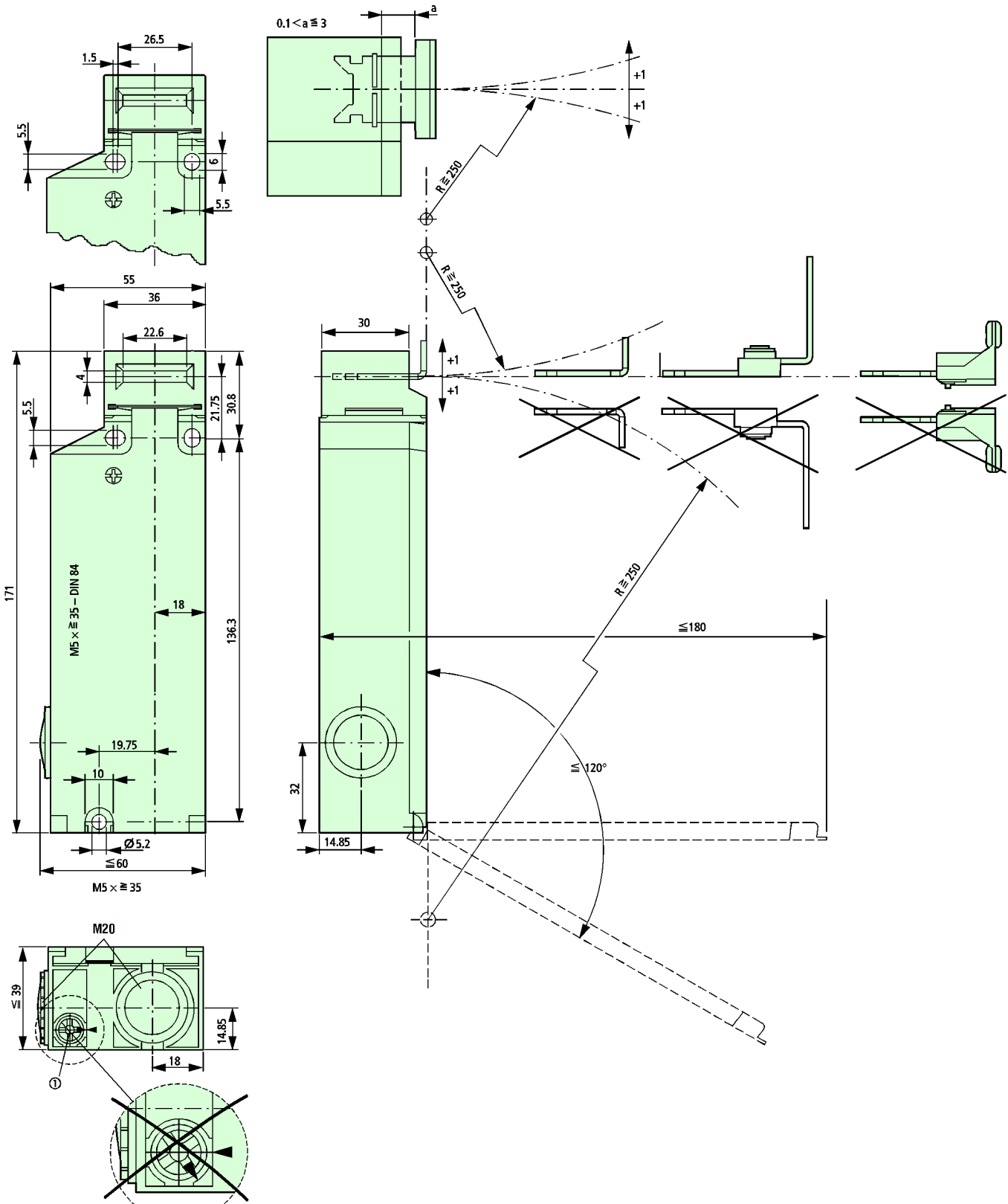


AT 0...-ZBZ Safety Position Switches

Dimensions

Safety position switch
AT 0...-ZBZ

Limit Switches



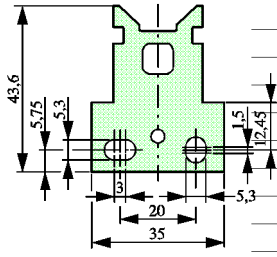
⊘ = auxiliary release mechanism

AT 0...ZB(Z) Safety Position Switches

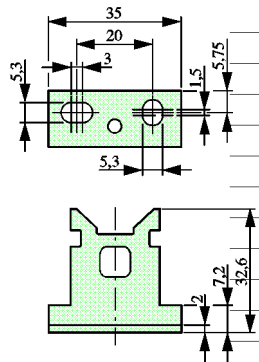
Dimensions

Actuating fingers for AT 0...-ZBZ safety position switches

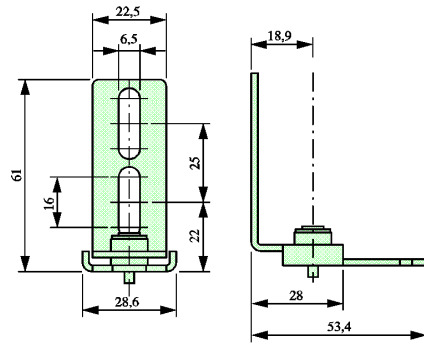
G-ZBZ



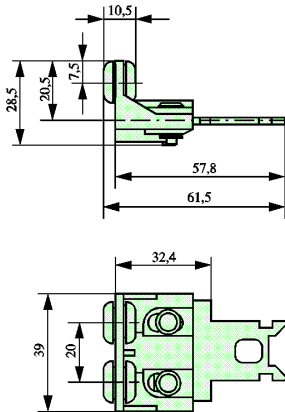
W-ZBZ



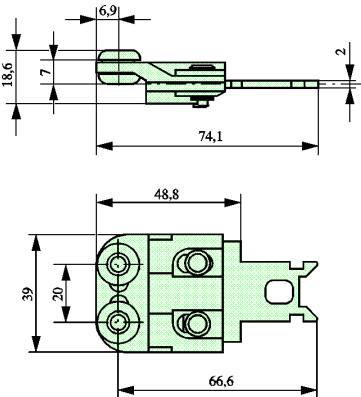
F-ZBZ



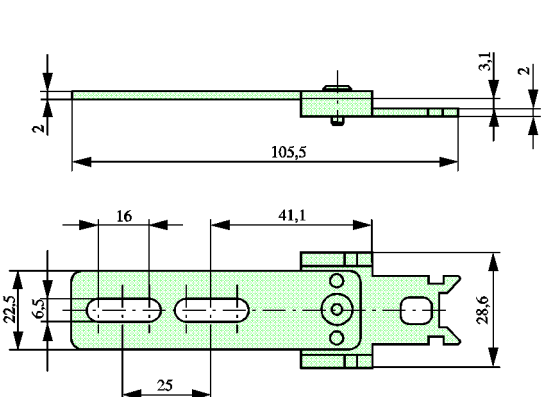
NW-ZBZ



NG-ZBZ



FG-ZBZ



Safety position switch AT 0...-ZB

Switch must not be used for stopping mechanically

21-22	Zw = 12
13-14	9.5
21-22	7 Zw = 12
11-12	8.3
21-22	Zw = 12

Terminal marking to EN 50 013
 Contact sequence
 ■ closed
 □ open
 Zw = positive opening clearance

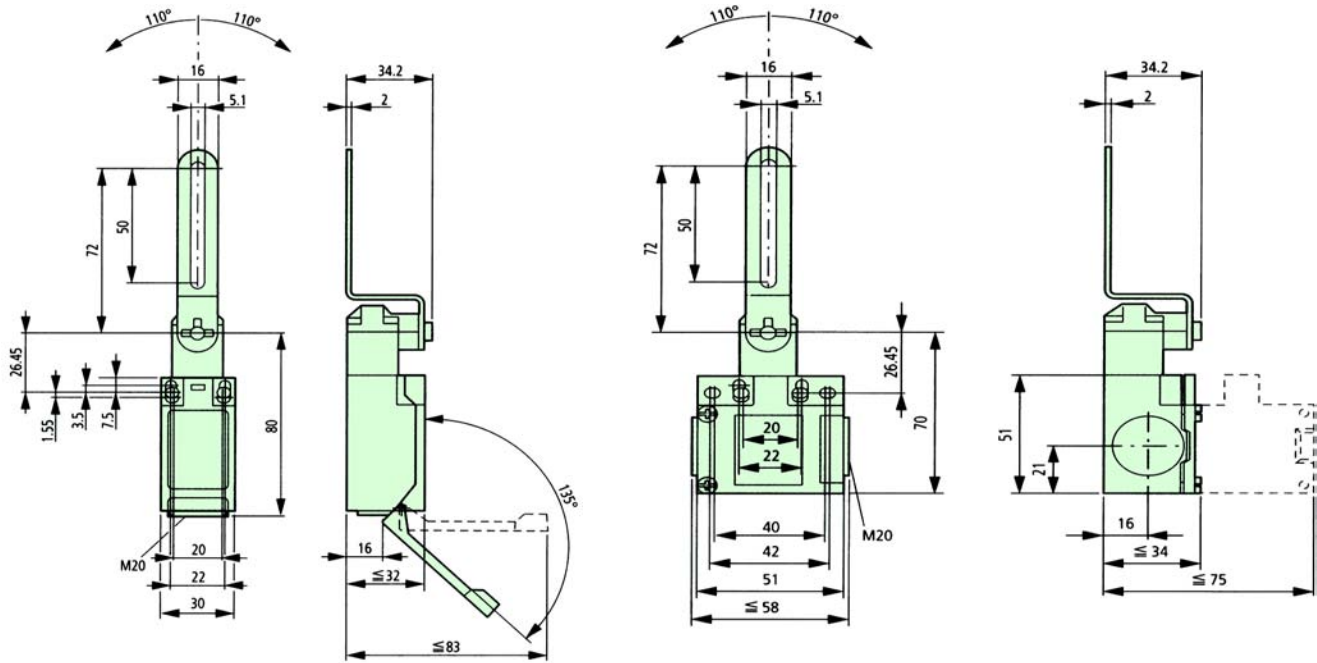
Limit Switches

Safety Position Switches ATR

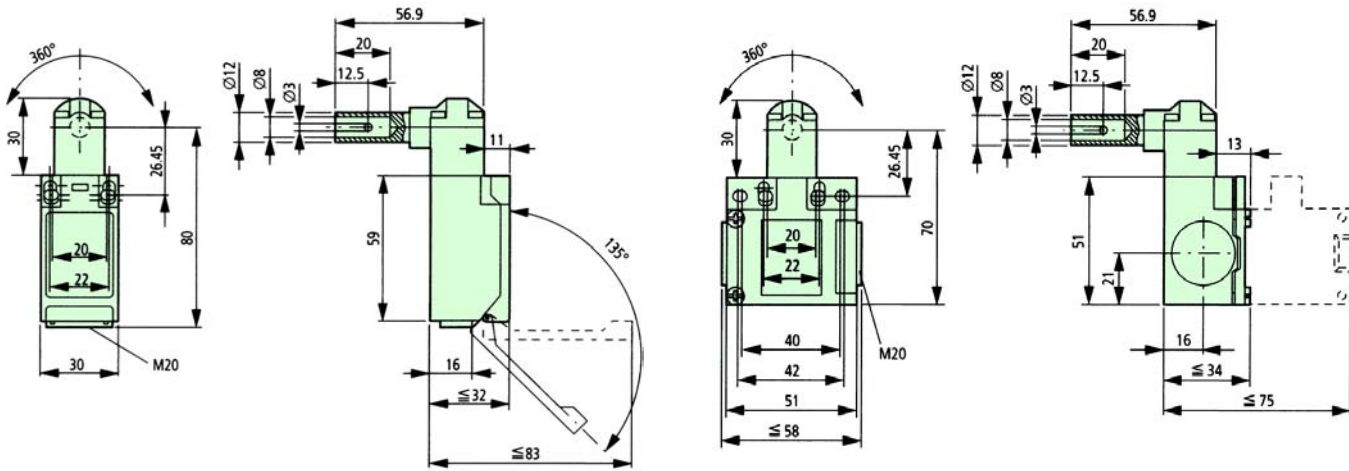
Dimensions

Limit Switches

Hasp-operated safety position switch
ATR.../TKG



Hinge-operated safety position switch
ATR.../TS

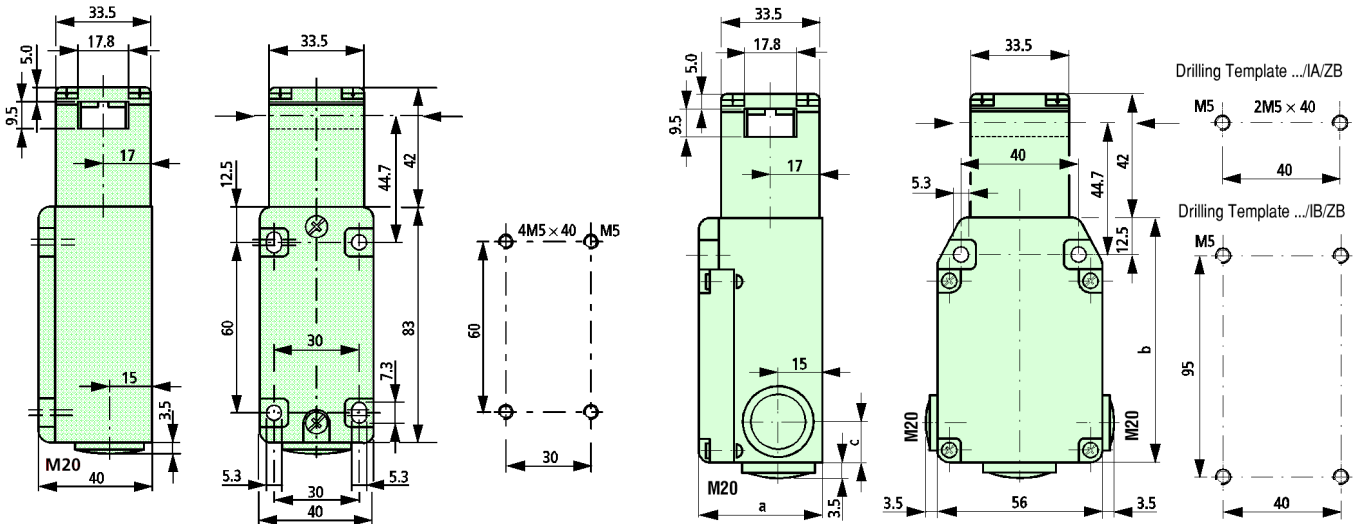


Safety Position Switches AT 4...-ZB

Dimensions

Safety position switch
AT 4/.../I/ZB

AT 4/.../IA/ZB
AT 4/.../IB/ZB



Actuator

