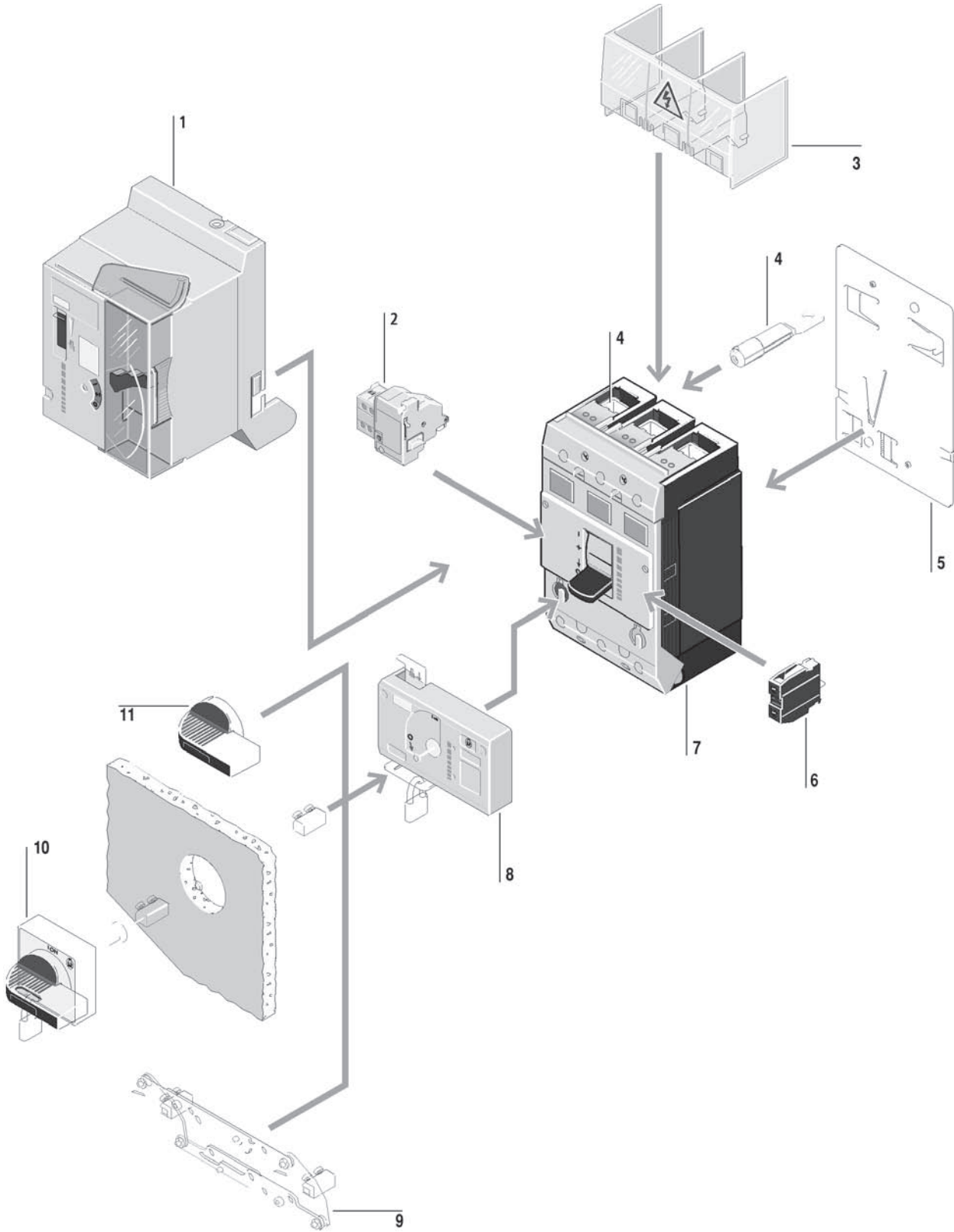


Molded Case Circuit Breakers and Switches System Overview



Molded Case Circuit Breakers and Switches

Type NZM 7... Overview

Basic devices			
Molded case circuit breakers	7		
600 V AC, 150 A rating			
25 kA @ 480 V AC interrupting rating			
Field installable accessories			
Supplied with terminals for cable hookup or bolt-on connection			
UL listed (UL 489), CSA certified (C 22.2 No. 5.1)			
Conformity with (Circuit Breakers) IEC/EN 60 947-2			
→ page 09/010			
Molded case switches	7		
600 V AC, 200 A rating			
Field installable accessories			
UL listed (UL 489), CSA certified (C 22.2 No. 5.2)			
Conformity with IEC/EN 60 947-3 (Switch-disconnectors)			
→ page 09/013			
Auxiliary contacts			
NHI standard auxiliary contacts	6		
indicates switching status ON or OFF			
RHI trip-indicating auxiliary contacts	6		
indicates switching status Tripped			
VHI early-make auxiliary contact	2		
for interlocking and load-shedding circuits			
for early-make closing of the undervoltage trip			
→ page 09/014			
Voltage trips	2		
Shunt trips			
Undervoltage trips			
• AC and DC versions			
• with and without early-make auxiliary contacts			
→ page 09/016			
Remote control drive	1		
Remote ON/OFF			
Remote reset			
For use as synchronizing switch			
Manual local switching possible			
Switch lockable in OFF position			
→ page 09/020			
Rotary drive mechanism	8		
Conversion of toggle switching to rotary movement			
Switch lockable in OFF position			
→ page 09/022			
Rotary handle	11		
to operate switch equipped with rotary drive mechanism			
Note: vertical handle assembly also available, → page 09/026 for ordering information			
→ page 09/022			
Door/cover interlocking rotary handle	10		
For cover or door mounting			
Interlocking feature to prevent opening of door/cover with the switch in the ON posi- tion			
Padlockable in the OFF or ON position with up to 3 padlocks (hasp size 1/4", 4-8mm) (optional, also comes without padlocking feature)			
Standard color: black Available in red/yellow for Emergency-Stop function per CE and IEC/EN 60 204-1			
Degree of protection: UL/NEMA 12, IEC/EN: IP55			
→ page 09/022			
Paralleling mechanism	9		
For simultaneous actuation of 2 switches mounted side by side			
IEC devices only. Contact Moeller Electric.			
Mounting accessories			
Terminations	4		
Terminals for round or flat-strip conductors			
Bolt-on connection for busbars or cable lugs			
Rear connections			
Built-in terminal covers			
→ page 09/028			
Terminal cover	3		
Provides shock hazard protection against accidental contact with line terminals.			
Mandatory use in main disconnect switch applications for CE panels in conformity with IEC/EN 60 204-1			
→ page 09/036			
Clip plate	5		
For mounting on DIN rail			
→ page 09/026			