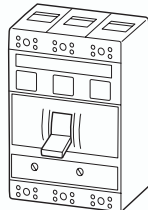
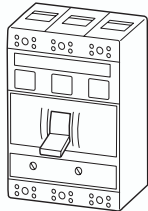


Molded Case Switches, 200A, 600V AC

UL / CSA ; IEC / EN 60 947-3 ; CE

Circuit Breakers, Disconnect Switches, Molded Case Switches

	Ampere Rating	Type Article No.	Price see price list
A			
With pressure wire terminals for cable connection			
	60	NZM7-60-NA 205580	
	100	NZM7-100-NA 205581	
	125	NZM7-125-NA 205582	
	150	NZM7-150-NA 207600	
	200	NZM7-200-NA 215430	
With provisions for bolt-on connections			
	60	NZM7-60-NA-M8 205584	
	100	NZM7-100-NA-M8 205585	
	125	NZM7-125-NA-M8 205586	
	150	NZM7-150-NA-M8 207601	
	200	NZM7-200-NA-M8 205588	

Notes:

UL/CSA Short Circuit Current Rating for Molded Case Switches

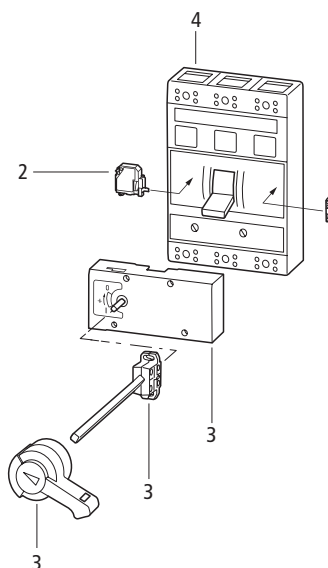
with 225A fuse backup:
 • 50 kA RMS sym at 600 V AC

with 250A circuit breaker backup:
 • 25 kA RMS sym at 480 V AC
 • 18 kA RMS sym at 600 V AC

NZM7-...-NA(-M8) molded case switches are virtually identical in construction to the molded case circuit breakers, except that they are manual, non-automatic switches without any overload or overcurrent protective features, and are rated up to 200A.

All molded case switches are UL listed (UL 489) and CSA certified (C 22.2 Nr. 5.2). They are also in conformity with IEC/EN 60 947-3 (switch-disconnectors) and are CE marked. Consult technical data and Moeller Electric for IEC/EN ratings. Molded case switches are tested to determine their acceptability for continuous operation at their marked rated load. Also, they are tested at 6 times their full ampere rating to cover motor circuit applications and are suitable for use as motor circuit disconnects per Section 430-109 of the NEC and Section 28-602 of the CEC.

Notes



Accessories	Page
1 Auxiliary contacts	09/014
2 Voltage trips	09/016
3 Handles and operators	09/022
4 Terminals	09/028
Other accessories	09/022