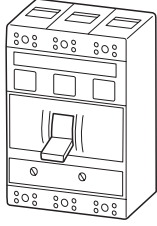
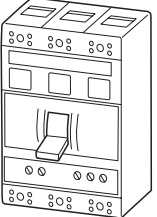


Inverse Time Circuit Breakers, 600 A, 600 V AC

Solid State Trip Type NZM 10-...-NA

UL / CSA ; IEC/EN 60 947-2 ; CE

		Setting ranges		Normal Interrupting Capacity 42 kA at 480 V 50/60 Hz 35 kA at 600 V 50/60 Hz	Price see price list
Long time response current setting	I_r A	Adjustable instantaneous pick-up setting	Article No.		
NZM 10-.../ZMA-...-NA With fixed long time response settings					
	150	300 - 1800	NZM10-400N/ZMA-150-NA 226744		
	175	350 - 2100	NZM10-400N/ZMA-175-NA 226745		
	200	400 - 2400	NZM10-400N/ZMA-200-NA 093938		
	225	450 - 2700	NZM10-400N/ZMA-225-NA 093939		
	250	500 - 3000	NZM10-400N/ZMA-250-NA 093975		
	300	600 - 3600	NZM10-400N/ZMA-300-NA 093993		
	350	700 - 4200	NZM10-400N/ZMA-350-NA 093824		
	400	800 - 4800	NZM10-400N/ZMA-400-NA 093825		
	500	1000 - 6000	NZM10-600N/ZMA-500-NA 093915		
	600	1200 - 7200	NZM10-600N/ZMA-600-NA 093916		
NZM 10-.../ZM-...-NA With adjustable long time response settings					
	125 - 250	250 - 3000	NZM10-400N/ZM-250-NA 226750		
	200 - 400	400 - 4800	NZM10-400N/ZM-400-NA 093914		
	300 - 600	600 - 7200	NZM10-600N/ZM-600-NA 093913		

Type **NZM10-...(N)(S)/ZM(A)-...-NA** molded-case circuit breakers are UL listed (UL 489) and CSA certified (22.2 No. 5.1) Inverse Time, Solid State Trip Circuit Breakers with a fixed or adjustable long time response and adjustable instantaneous pick-up range.

Type **NZM10-...H/ZM(A)-...-NA** molded case circuit breakers are UL listed (UL 489) and CSA certified (22.2 Nor. 5.1) Current-limiting Inverse Time, Solid State Trip Circuit Breakers with a fixed or adjustable long time response and adjustable instantaneous pick-up range.

Notes:

- ¹⁾ NZM10 circuit breakers and molded-case switches are supplied with toggle operator. Consult page 09/046 for additional handle types.
- ²⁾ NZM10 circuit breakers and molded-case switches are supplied with bolt-on connection as standard. For line and load field-wiring terminals for cable connection, refer to page 09/051 for details on available terminals.

Inverse Time Circuit Breakers, 600 A, 600 V AC

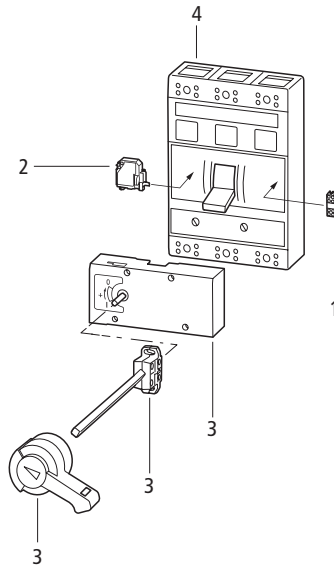
Solid State Trip Type NZM 10-...-NA

UL / CSA ; IEC/EN 60 947-2 ; CE

Circuit Breakers,
Disconnect Switches, Molded Case Switches

Medium Interrupting Capacity		High Interrupting Capacity	
Type	Price	Type	Price
Article No.	see price list	Article No.	see price list
65 kA at 480 V 50/60 Hz 42 kA at 600 V 50/60 Hz		100 kA at 480 V 50/60 Hz 50 kA at 600 V 50/60 Hz	
		Fuseless current limiting circuit breaker	
NZM10-400S/ZMA-150-NA 226746		NZM10-400H/ZMA-150-NA 226748	
NZM10-400S/ZMA-175-NA 226747		NZM10-400H/ZMA-175-NA 226749	
NZM10-400S/ZMA-200-NA 093880		NZM10-400H/ZMA-200-NA 093705	
NZM10-400S/ZMA-225-NA 093881		NZM10-400H/ZMA-225-NA 093706	
NZM10-400S/ZMA-250-NA 093918		NZM10-400H/ZMA-250-NA 093707	
NZM10-400S/ZMA-300-NA 093919		NZM10-400H/ZMA-300-NA 093708	
NZM10-400S/ZMA-350-NA 093944		NZM10-400H/ZMA-350-NA 093709	
NZM10-400S/ZMA-400-NA 093979		NZM10-400H/ZMA-400-NA 093710	
NZM10-600S/ZMA-500-NA 093854		NZM10-600H/ZMA-500-NA 093703	
NZM10-600S/ZMA-600-NA 093879		NZM10-600H/ZMA-600-NA 093704	
NZM10-400S/ZM-250-NA 226751		NZM10-400H/ZM-250-NA 226752	
NZM10-400S/ZM-400-NA 093853		NZM10-400H/ZM-400-NA 093702	
NZM10-600S/ZM-600-NA 093826		NZM10-600H/ZM-600-NA 093701	

Notes



Accessories	Page
1 Auxiliary contacts	09/042
2 Voltage trips	09/043
3 Handles and operators	09/045
4 Terminals	09/051
Other accessories	09/046

UL/CSA Interrupting Ratings (AC, 60Hz)

Type	240V	RMS sym. kA at	
		480V	600V
NZM 10-...N/ZM(A)-...-NA	65	42	35
NZM 10-...S/ZM(A)-...-NA	100	65	42
NZM 10-...H/ZM(A)-...-NA	200	100	50

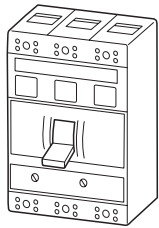
Inverse Time Circuit Breakers, 600 A, 600 V AC

Solid State Trip Type NZM 10-...-NA

UL / CSA ; IEC/EN 60 947-2 ; CE

				Normal Interrupting Capacity 42 kA at 480 V 50/60 Hz 35 kA at 600 V 50/60 Hz				
				<table border="1"> <tr> <th>Type</th> <th>Price</th> </tr> <tr> <td>Article No.</td> <td>see price list</td> </tr> </table>	Type	Price	Article No.	see price list
Type	Price							
Article No.	see price list							
Long time response current setting	Setting ranges	Adjustable instantaneous pick-up setting	Adjustable short-time delay pick-up setting for selectivity in networks					
I_r			Time delay range: 0 - 1000 ms delayed					
A	A	A						

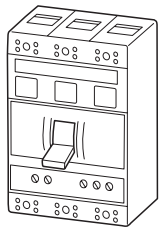
NZM 10-.../ZMVA-...-NA
with fixed long time response settings
with short-time delay pick-up for selectivity



200	1000 - 9000	2 - 12 x I _r
225		
250		
300		
350		
400		
500		
600		

NZM10-400N/ZMVA-200-NA 093713
NZM10-400N/ZMVA-225-NA 093714
NZM10-400N/ZMVA-250-NA 093715
NZM10-400N/ZMVA-300-NA 093716
NZM10-400N/ZMVA-350-NA 093717
NZM10-400N/ZMVA-400-NA 093718
NZM10-600N/ZMVA-500-NA 093719
NZM10-600N/ZMVA-600-NA 093720

NZM 10-.../ZMV-...-NA
with adjustable long time response settings
with short-time delay pick-up for selectivity



200 - 400	1000 - 9000	400 - 4800
300 - 600	1000 - 9000	600 - 7200

NZM10-400N/ZMV-400-NA 093711
NZM10-600N/ZMV-600-NA 093712

Type **NZM10-...(N)(S)/ZMV(A)-...-NA** are UL listed (UL 489) and CSA certified (22.2 No. 5.1) and have an additional short-time delay pick-up range for selectivity in energy distribution networks. The time delay response is adjustable from 0 to 1000 milliseconds.

Features of ZMV(A) trip modules used for selectivity:

- Fixed (ZMVA....) or adjustable (ZMV....) long time response current
- Adjustable time delay (2 - 4 - 6 - 8 - 10 - 12 - 14 -17 - 20 sec.) for current levels at 6 times the long time response current (I_r)
- Long time response current can be disconnected
- Adjustable time delay (0 - 10 - 50 - 100 - 150 - 200 - 300 - 500 - 750 - 1000 ms) pick-up setting
- Adjustable instantaneous pick-up response

Notes:

- 1) NZM10 circuit breakers and molded-case switches are supplied with toggle operator. Consult page 09/046 for additional handle types.
- 2) NZM10 circuit breakers and molded-case switches are supplied with bolt-on connection as standard. For line and load field-wiring terminals for cable connection, refer to page 09/051 for details on available terminals.

Inverse Time Circuit Breakers, 600 A, 600 V AC

UL / CSA ; IEC/EN 60 947-2 ; CE

Solid State Trip Type NZM 10-...-NA

Circuit Breakers, Disconnect Switches, Molded Case Switches

Medium Interrupting Capacity

65 kA at 480 V 50/60 Hz

42 kA at 600 V 50/60 Hz

Type	Price
Article No.	see price list

NZM10-400S/ZMVA-200-NA
093725

NZM10-400S/ZMVA-225-NA
093726

NZM10-400S/ZMVA-250-NA
093727

NZM10-400S/ZMVA-300-NA
093728

NZM10-400S/ZMVA-350-NA
093729

NZM10-400S/ZMVA-400-NA
093730

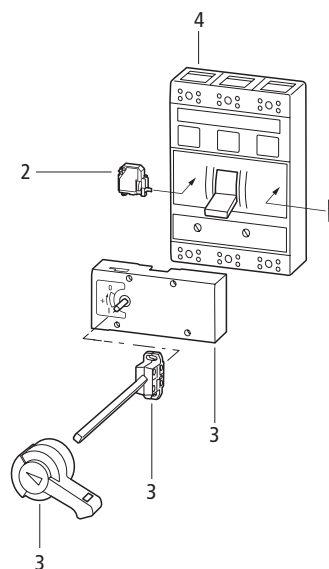
NZM10-600S/ZMVA-500-NA
093724

NZM10-600S/ZMVA-600-NA
093723

NZM10-400S/ZMV-400-NA
093722

NZM10-600S/ZMV-600-NA
093721

Notes



Accessories	Page
1 Auxiliary contacts	09/042
2 Voltage trips	09/043
3 Handles and operators	09/045
4 Terminals	09/051
Other accessories	09/046

UL/CSA Interrupting Ratings (AC, 60Hz)

Type	240V	RMS sym. kA at		
		480V	600V	
NZM 10-...N/ZMV(A)-...-NA	65	42	35	
NZM 10-...S/ZMV(A)-...-NA	100	65	42	