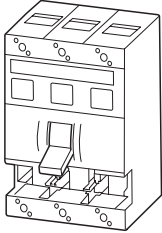


Molded Case Switches, 600 A, 600 V AC

Type NZM10-...-NA

UL / CSA ; IEC / EN 60 947-3 ; CE

Ampere Rating A	Type Article No.	Price see price list
Molded-case switches		
		
400	NZM10-400 N/B-NA 063929	
630	NZM10-600 N/B-NA 063928	

Type NZM10-...N/B-NA molded case switches are virtually identical in construction to NZM 10 molded case circuit breakers except that they are manual, non-automatic switches without any overload or over-current protective features. They are equally rated up to 600A. All molded-case switches are UL listed (UL 489) and CSA certified (C 22.2 Nr. 5.2), in conformity with IEC/EN 60 947-3 (switch disconnectors) and CE marked.

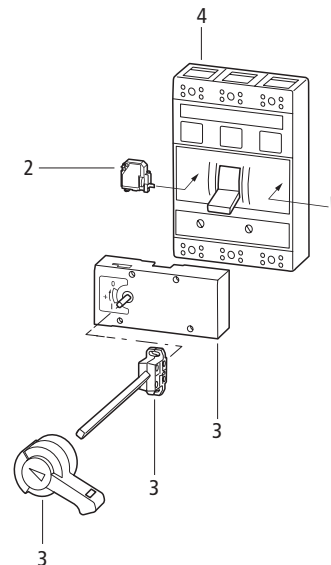
Molded-case switches are tested to determine their acceptability for continuous operation at their marked rated load. In addition, they are tested at six times their full ampere rating to cover motor circuit applications and are suitable for use as motor circuit disconnects per NEC section 430-109 and CEC section 28-602.

NZM 10 molded case switches are supplied with toggle operator. Consult page 09/046 for additional handle types

NZM 10 molded case switches are supplied standard with bolt-on connection. For load and line field-wiring terminals for cable connection, see page 09/051 for details on available terminals

Notes

UL/CSA
Short circuit current rating
25 kA rms sym. @ 600 V AC



Accessories	Page
1 Auxiliary contacts	09/042
2 Voltage trip	09/043
3 Operators	09/045
4 Terminals	09/051
Other accessories	09/046

Accessories such as voltage trips, auxiliary contacts, rotary handles etc. are common to all NZM10 circuit breakers and molded case switches are UL listed and CSA certified for field installation