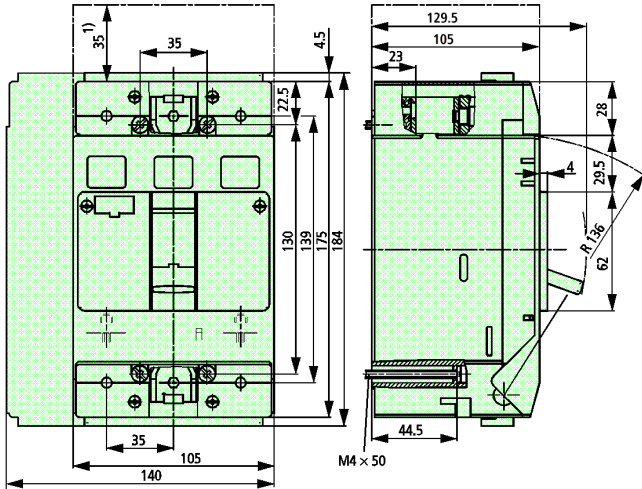


Molded Case Circuit Breakers and Switches

Dimensions for Type NZM7-...

Circuit breakers, molded case switches

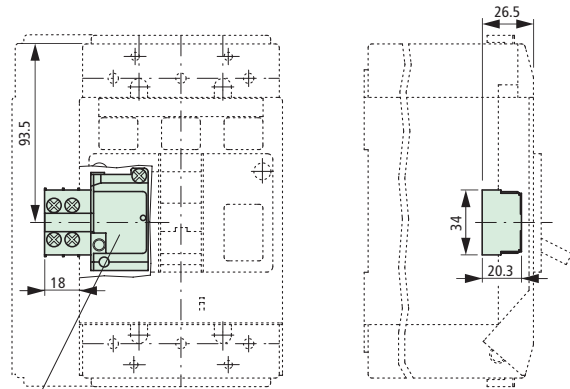
NZM7-...-NA



¹⁾ Required safety clearance to conductive materials with different potential. A lateral clearance of 18mm is required between devices mounted side by side (clearance results automatically when A-, U-, VHI-NZM7 are mounted)

Shunt trips, undervoltage trips, early make auxiliary contacts

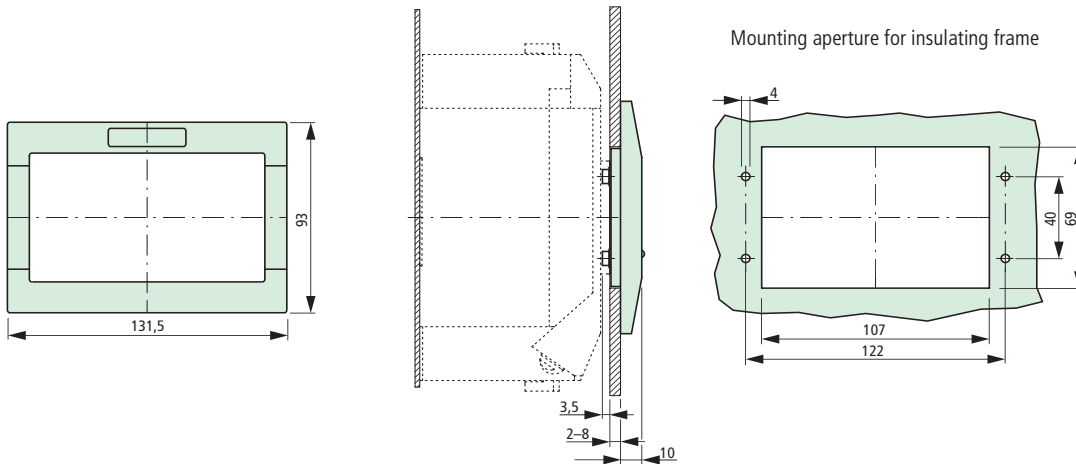
A-, U-, VHI-NZM7



A(VHI)-NZM 7...
U(HI)-NZM 7...
VHI-NZM 7

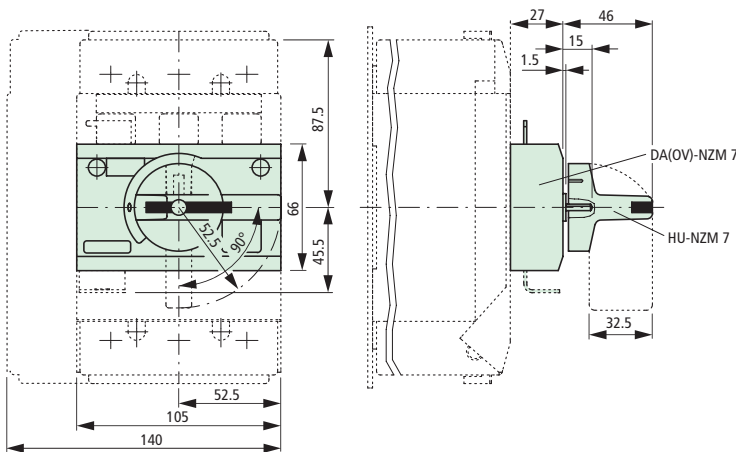
Insulating frame

RT-NZM7



Rotary drive/rotary handle for open mounted breakers and switches

DA(OV)-NZM 7 HU-NZM 7



max. 3 padlocks

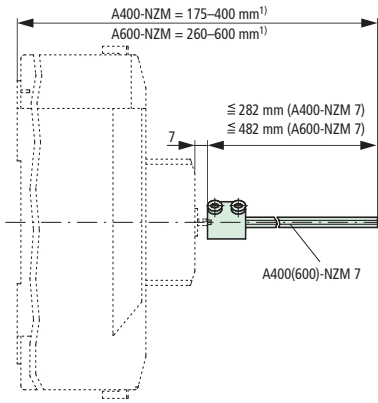
d = 4 - 8 mm
b = min. 34 mm

Molded Case Circuit Breakers and Switches

Dimensions for Type NZM7-...

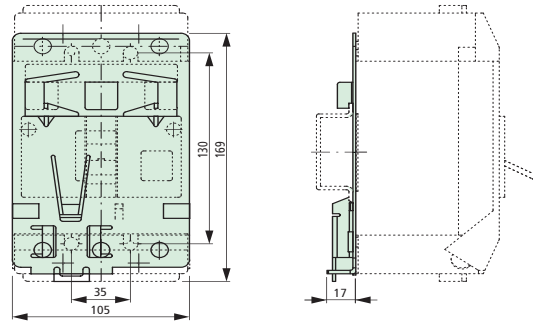
Extension shaft

¹⁾ Mounting depth



Clip plate

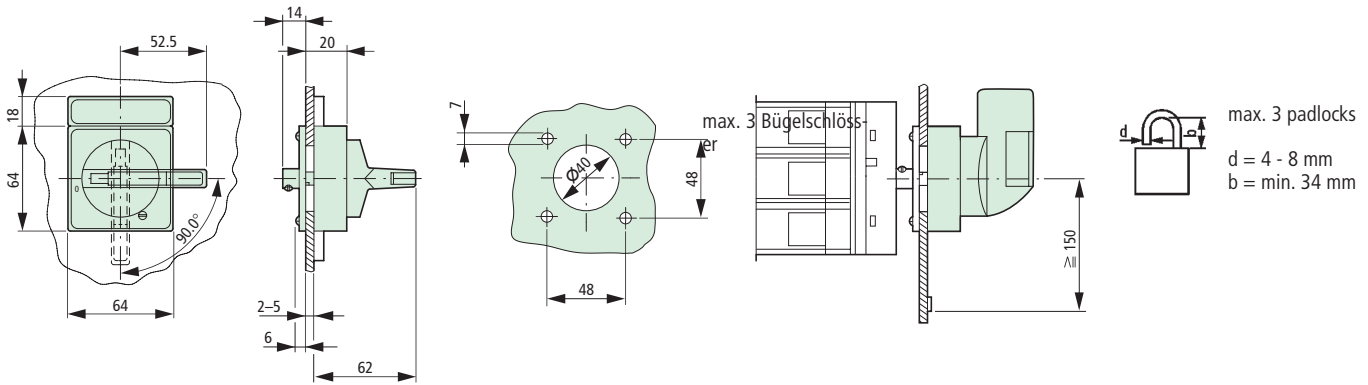
C-NZM 7



Door interlocking handle for base mounted breakers and switches

(R)H-NZM 7
HOV-NZM 7

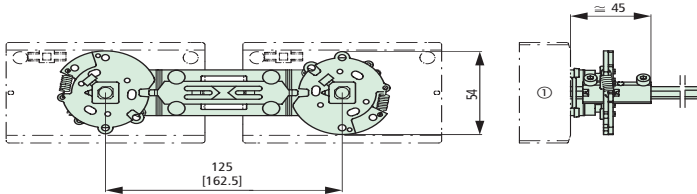
Mounting opening for door coupling rotary handle



Mechanical interlock

KV-2 NZM 7

① Rotary drive

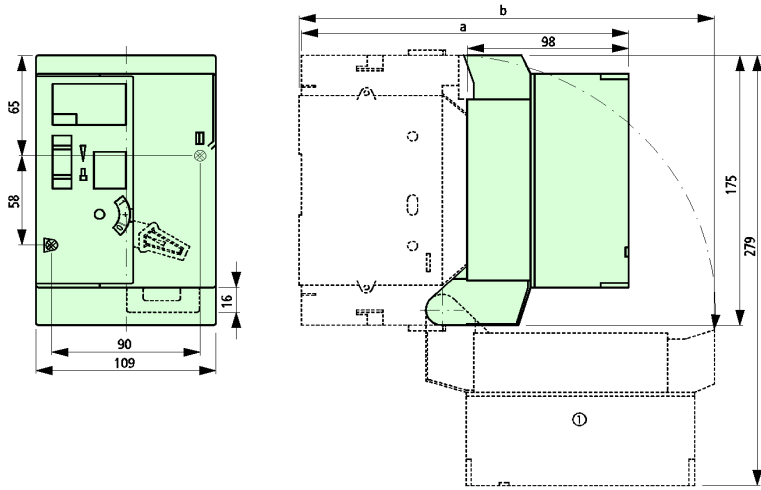


Molded Case Circuit Breakers and Switches

Dimensions for Type NZM7-...

Remote control drive

R-NZM 7

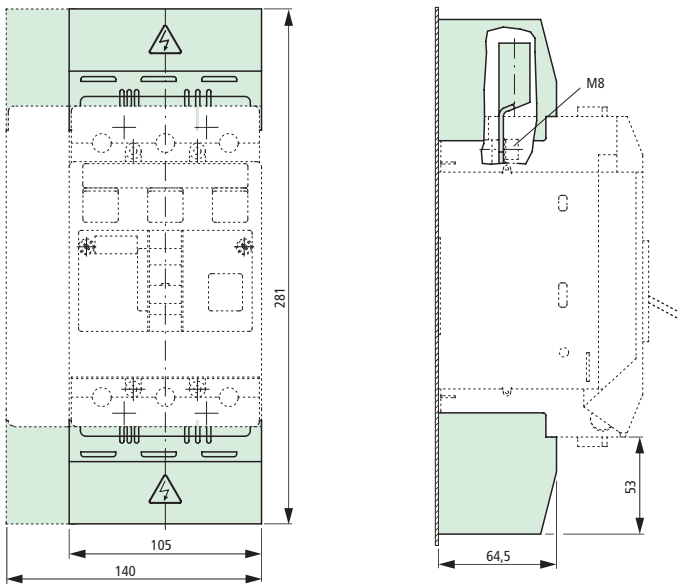


Type	NZM7(A)-...-NA NZM7-...-NA
a	200
b	251

① remote operator tilted

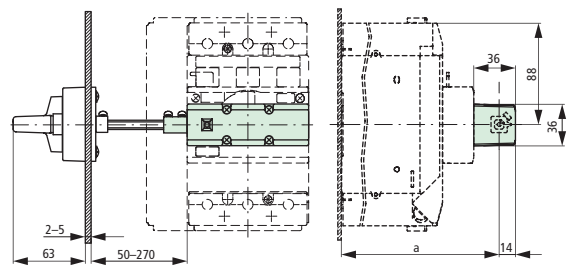
Cable lug / cable lug cover

KA250-NZM 7



Side wall operator

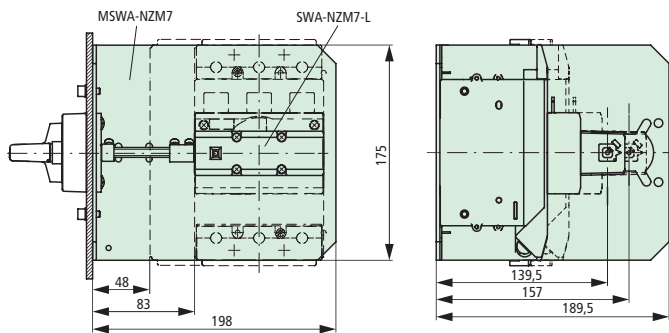
SWA-NZM 7 -



Type	NZM7-...-NA
a	154
b	134

Mounting bracket for side wall operator

MSWA-NZM 7



Mounting aperture for rotary handle

