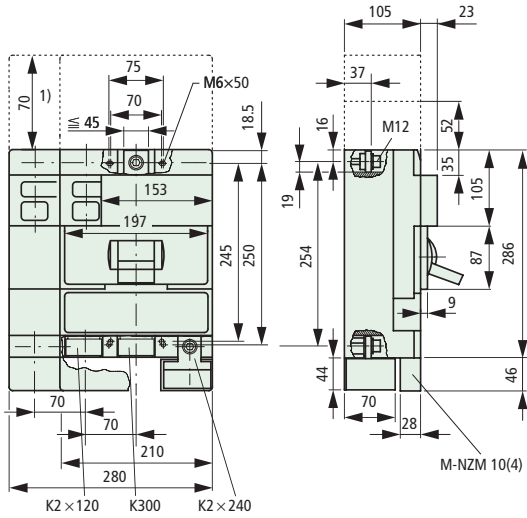


Molded Case Circuit Breakers and Switches

Dimensions for Type NZM10-...

Circuit breakers, molded case switches

NZM10-...-NA

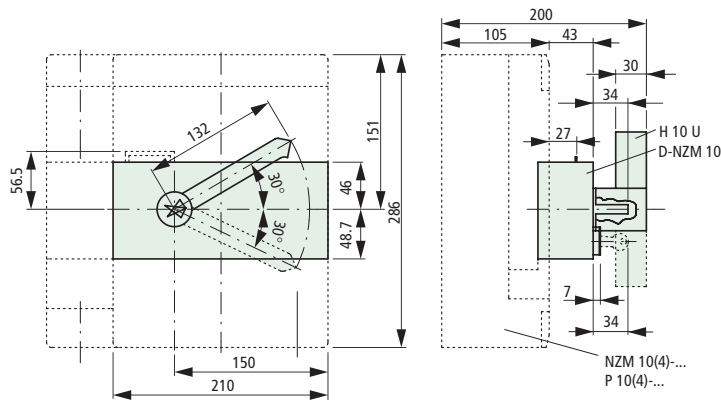


When mounting devices side by side, 15 mm clearance is required between them..

- 1) Safety clearance is required to conductive materials having a different potential; does not apply to connected stripped conductors.

Rotary drive

D-NZM 10



Door interlocking handle

(R)H10-NA

Drilling template
(R)H10-NA



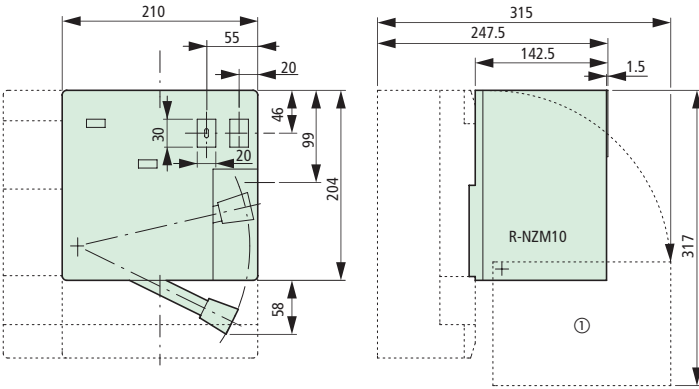
Molded Case Circuit Breakers and Switches

Dimensions for Type NZM10-...

Remote operator

R-NZM 10

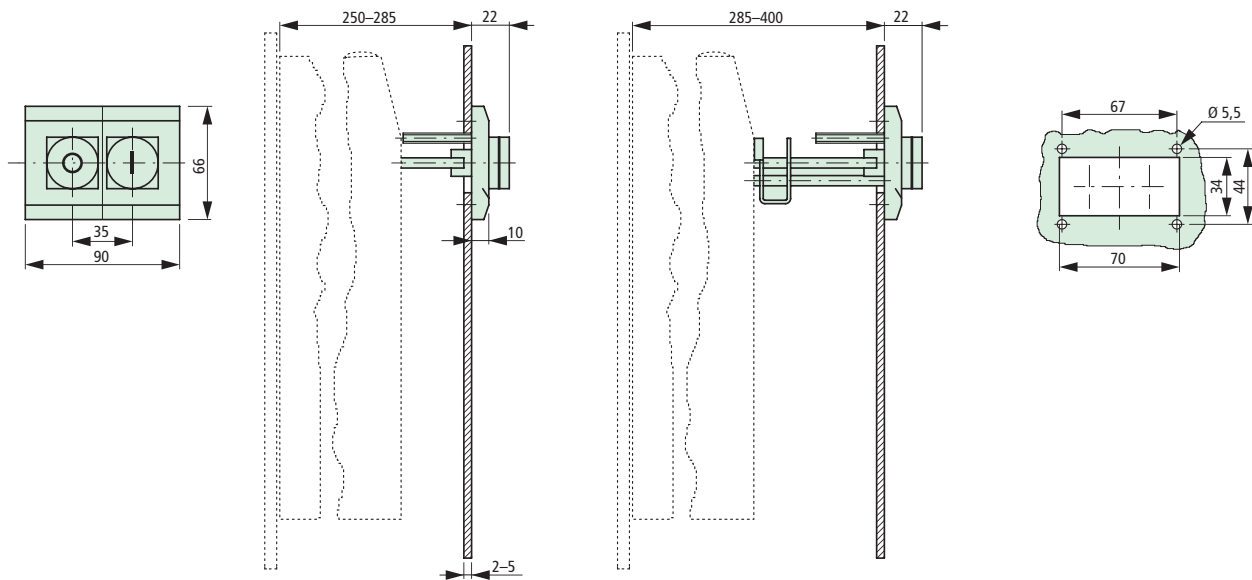
① remote operator tilted



Pushbuttons for enclosed breakers/switches operated with a remote control drive

MD-NZM 10
MDV-NZM 10

Mounting opening for pushbuttons

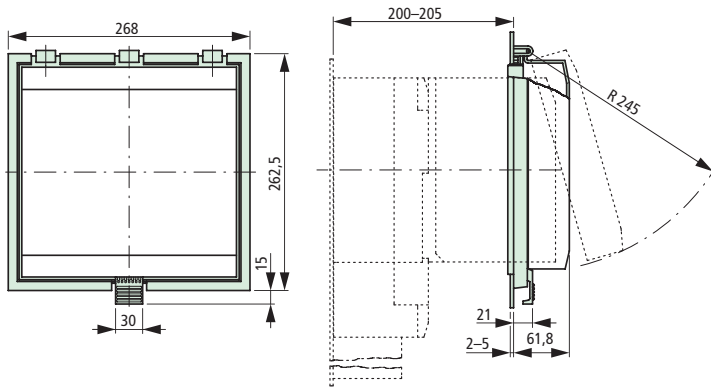


Molded Case Circuit Breakers and Switches

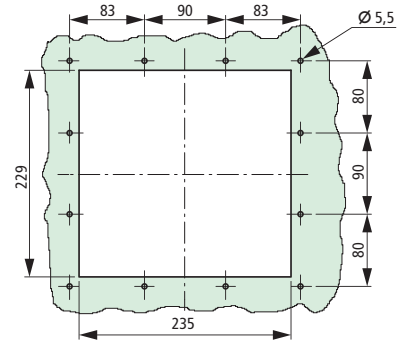
Dimensions for Type NZM10-...

Protective cover for door cutout

RTR-NZM 10



Mounting opening



Ground fault trip unit

TV-NZM 10

