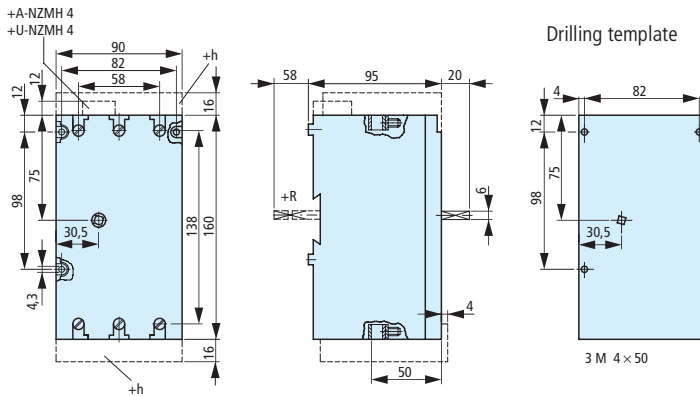


# Molded Case Circuit Breakers and Disconnect Switches

## Dimensions for Type NZM(H) 4, 6, 9 and 12

Circuit-breakers

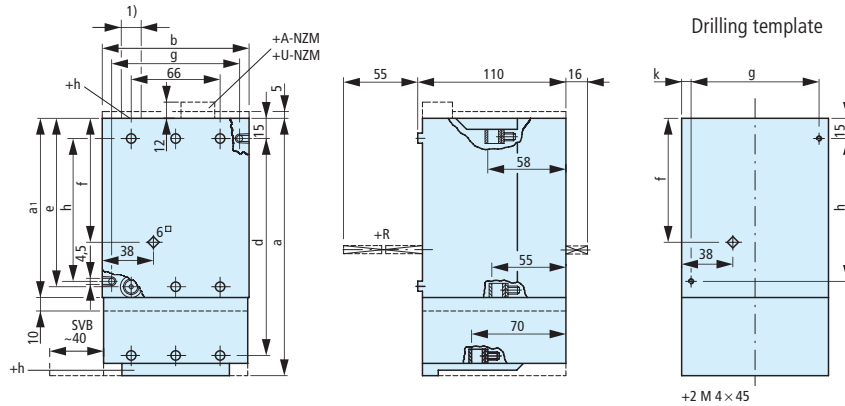
NZMH4-...-OBI-CNA  
NZMH4-...-CNA



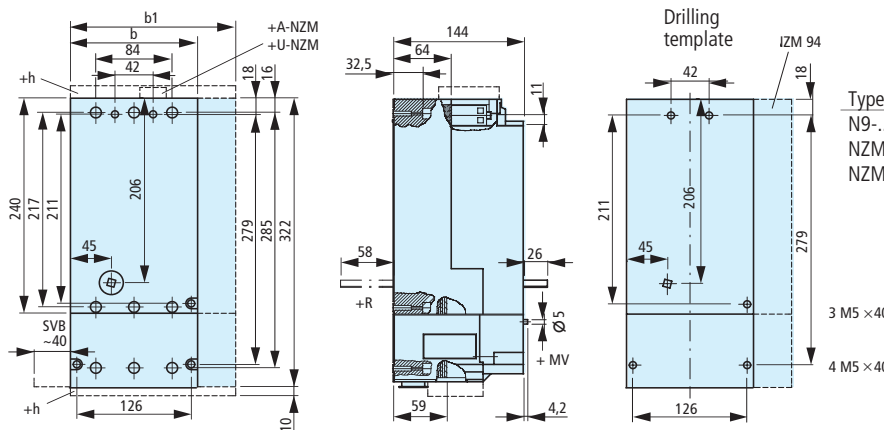
N6-...-CNA  
NZMH6/ZM6(A)-(C)NA  
NZM6B/ZM6(A)-(C)NA  
NZM(H)6(B)/ZM6-OBI-CNA

Type	a	a <sub>i</sub>	b	d	e	f	g	h	k
N6-...-CNA	-	133	109	-	125	92	95	106	7
NZMH6/ZM6(A)-(C)NA	210	-	109	180	-	112	95	126	7
NZM6B/ZM6(A)-(C)NA	210	-	109	180	-	112	95	126	7

1) For connection of copper busbars strip: max. 9 mm wide



N9-...-CNA  
NZM9/ZM9(A)-...-(C)NA  
NZMH9/ZM9(A)-...-(C)NA  
NZMH9/ZM9-OBI-CNA



Type	b	b <sub>1</sub>
N9-...-CNA	140	-
NZM9/ZM9-...-NA	140	-
NZMH9/ZM9-...-NA	140	-

**Notes**

Safety vertical clearance between upper edge of NZM circuit breakers and conductive materials with a different potential:

Type	Value
NZM 4	40
NZM 6	60
NZM 9	100

+R: When switch shaft extended to the rear: provide 20 mm diameter hole in mounting plate for switch shaft.

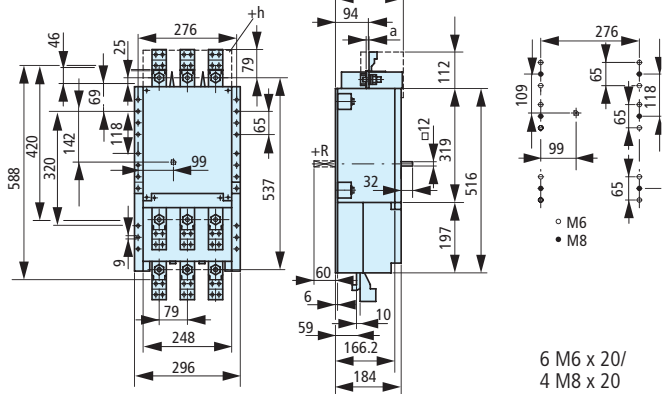
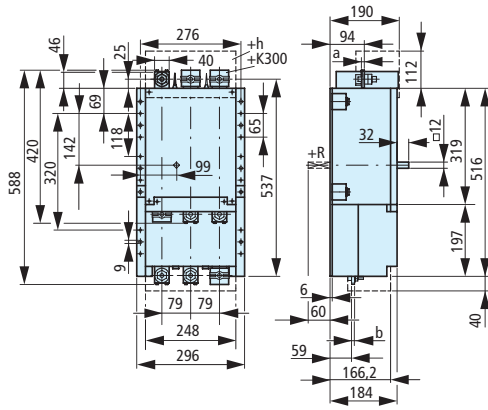
Front switch shaft is then omitted except for frame sizes 4 and 6.

# Molded Case Circuit Breakers and Disconnect Switches

## Dimensions for Type NZM(H)4, 6 and 9

N12-...-CNA (630, 800)  
NZM12-.../ZM12(A)(V)-...-NA (630, 800)

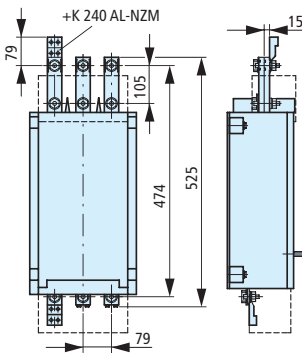
N12-1000-CNA  
NZM12-1250/ZM(V)-1000-NA  
N12-1000-NA



Terminal bolts  
M16 x 50

Type	630	800	1250
NZM 12	a	8	10
	b	8,5	8,5
ZM 12	b	10	15

### N 12-1200-CNA



### Notes

Safety vertical clearance between upper edge of NZM circuit breakers and conductive materials with a different potential:

Type	Clearance
NZM 12	180

# Molded Case Circuit Breakers and Disconnect Switches

## Dimensions for Type NZM(H) 4, 6, 9 and 12

Standard handle

Door coupling rotary handle

Handle for switch shaft extended to rear

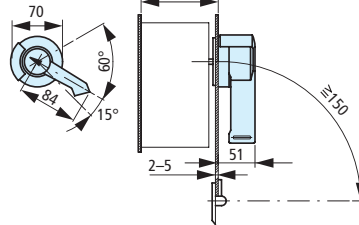
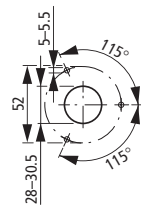
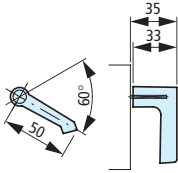


$d = 6 - 8 \text{ mm}$   
 $b = \text{min. } 36 \text{ mm}$

For NZM4

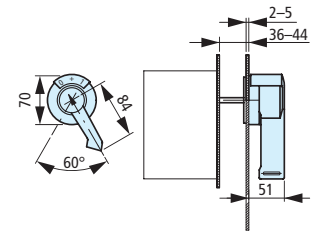
H4U

H6(-NA)



H6R(-NA)

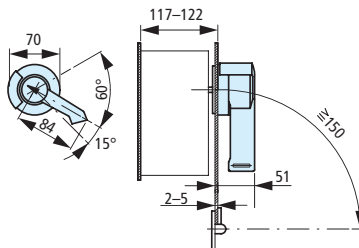
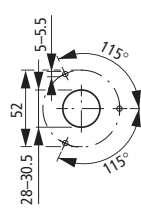
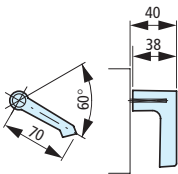
Mounting opening as on left, but turned clockwise through 90°



For NZM6

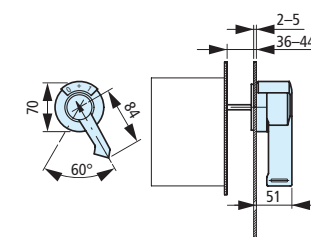
H6U

H6(-NA)



H6R(-NA)

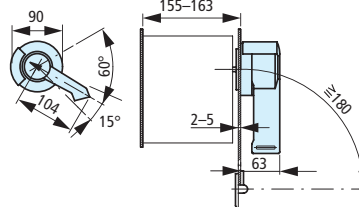
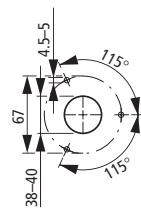
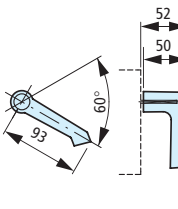
Mounting opening as on left, but turned clockwise through 90°



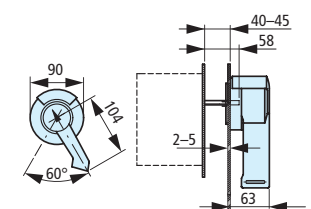
For NZM9

H9U

H9(-NA)



H9R(-NA)

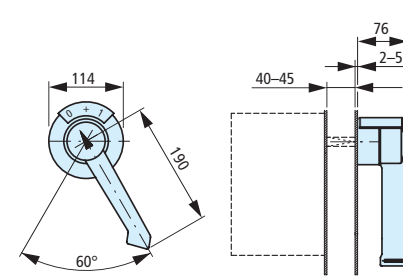
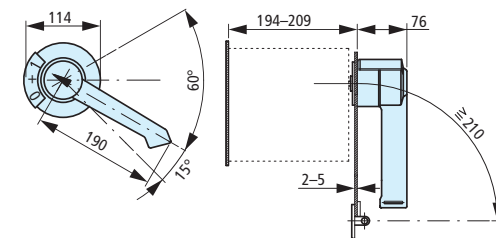
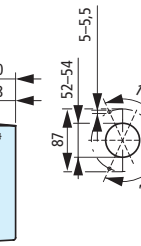
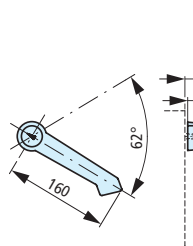


For NZM12

H12U

H12(-NA)

H12R(-NA)



# Molded Case Circuit Breakers and Disconnect Switches

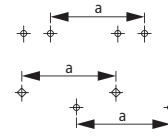
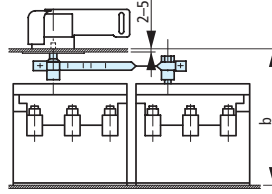
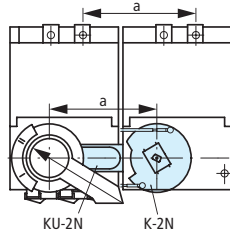
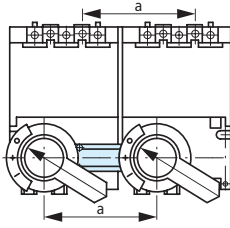
## Dimensions for Type NZM(H)4, 6, 9 and 12

### K(V), KU coupling kits

KV-2 N(ZM)

K-2 N

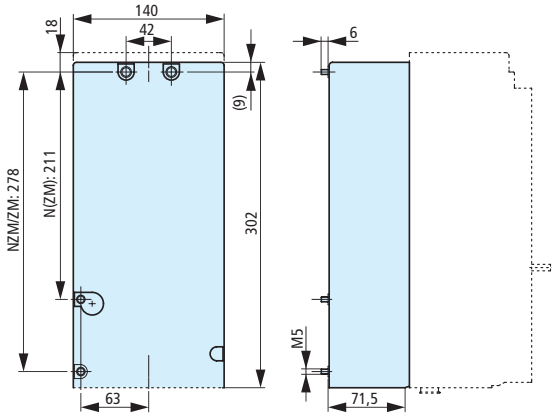
KU-2 N



Type	a	b
NZM 4	125	145-185
NZM 6	125	150-190
NZM 9	150	190-240
NZM 12	300	240-300

### M... motor operators

M9



M12 (S)

